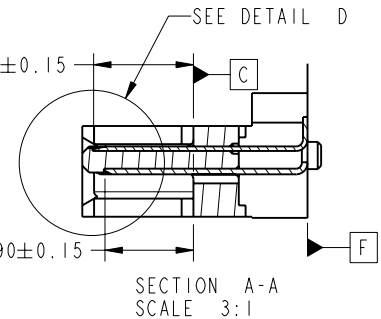
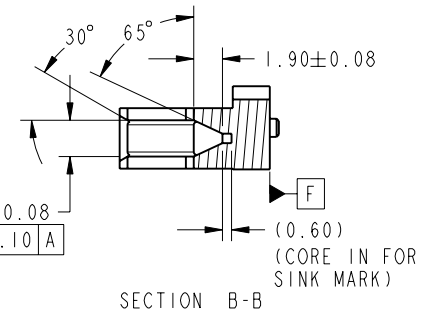
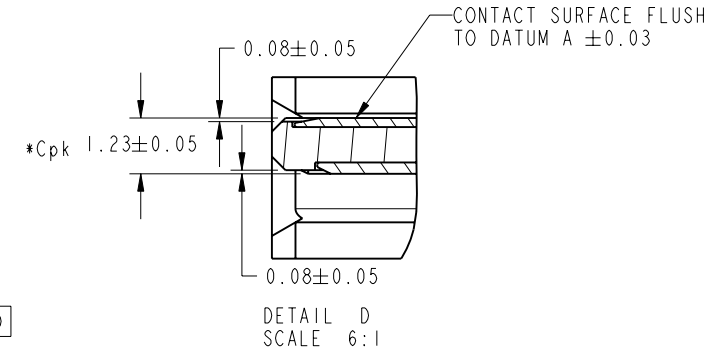
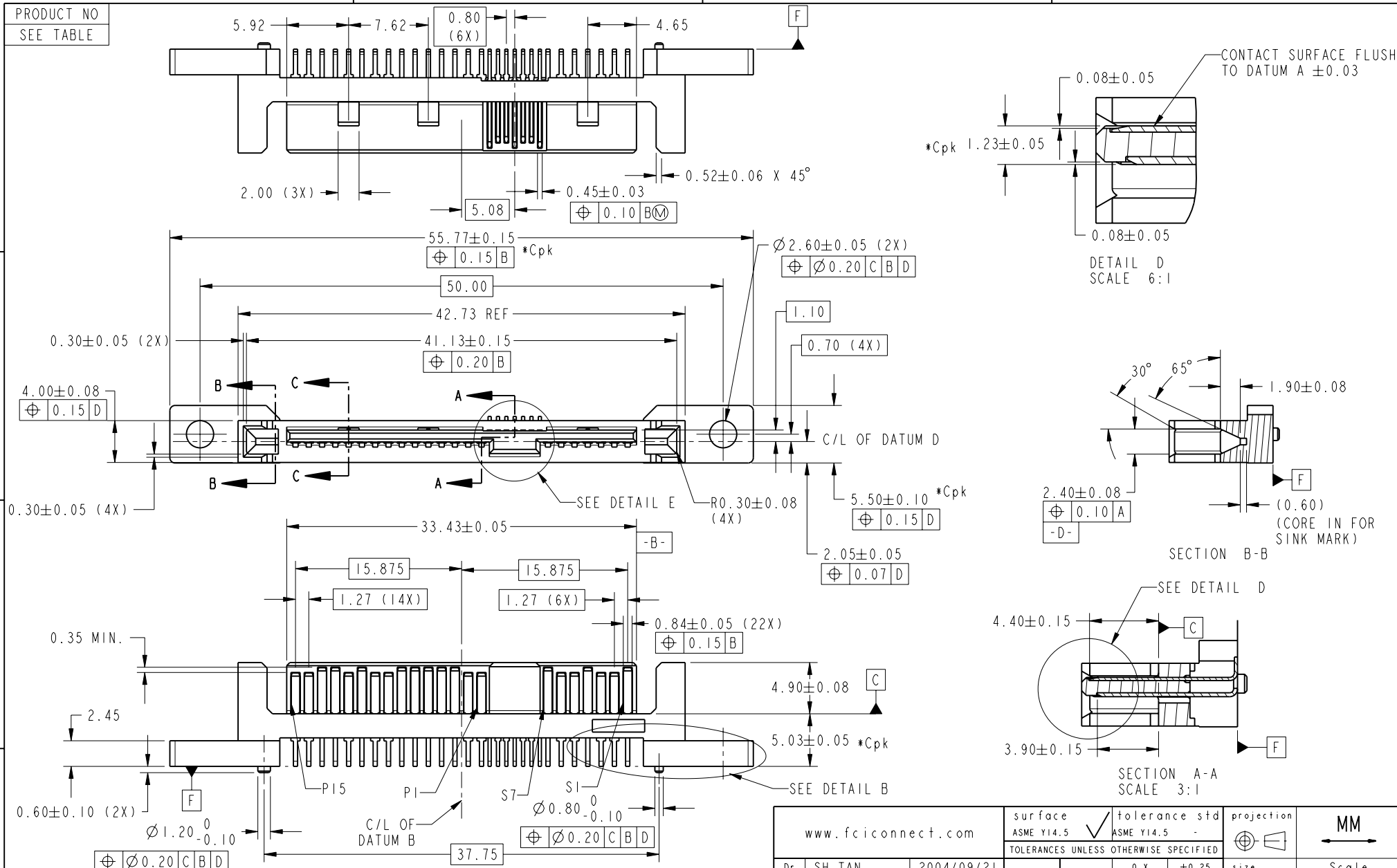


PRODUCT NO
SEE TABLE



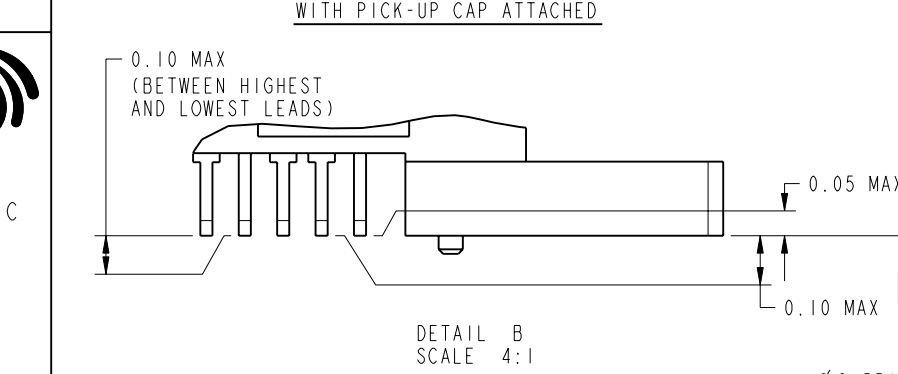
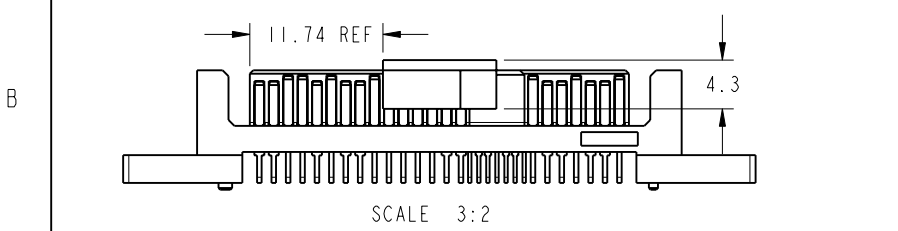
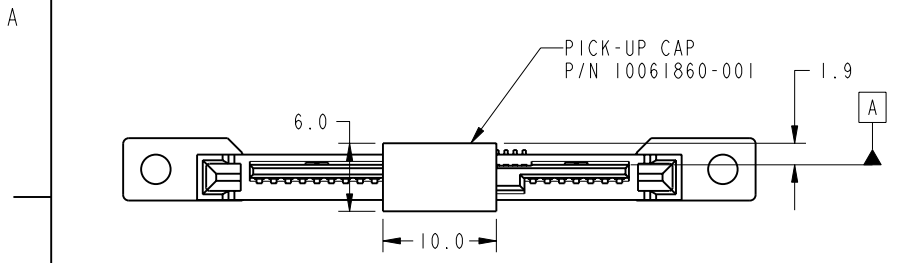
www.fciconnect.com		surface ASME Y14.5	tolerance std ASME Y14.5	projection	MM
		TOLERANCES UNLESS OTHERWISE SPECIFIED		\oplus \ominus	Scale 2:1
Dr	SH TAN	2004/09/21	ANGULAR	size A4	ECN S06-0276
Eng	HK LIM	2006/08/18	LINEAR		
Chr	HK LIM	2006/08/18	$0^\circ \pm 2^\circ$		
Appr	JOEY NG	2006/08/18	Product family	Spec ref	
SAS PLUG			dwg no 10045105		Rev. E
VERTICAL SMT ASSY			CUSTOMER		sheet 1 of 2
catalog no					

rev	ecn no	dr	date
A	S05-0248	HKL	2005/12/02
B	S06-0077	HKL	2006/03/13
C	S06-0182	HKL	2006/05/26
D	S06-0265	HKL	2006/08/04
E	S06-0276	HKL	2006/08/18
-	-	-	-
-	-	-	-

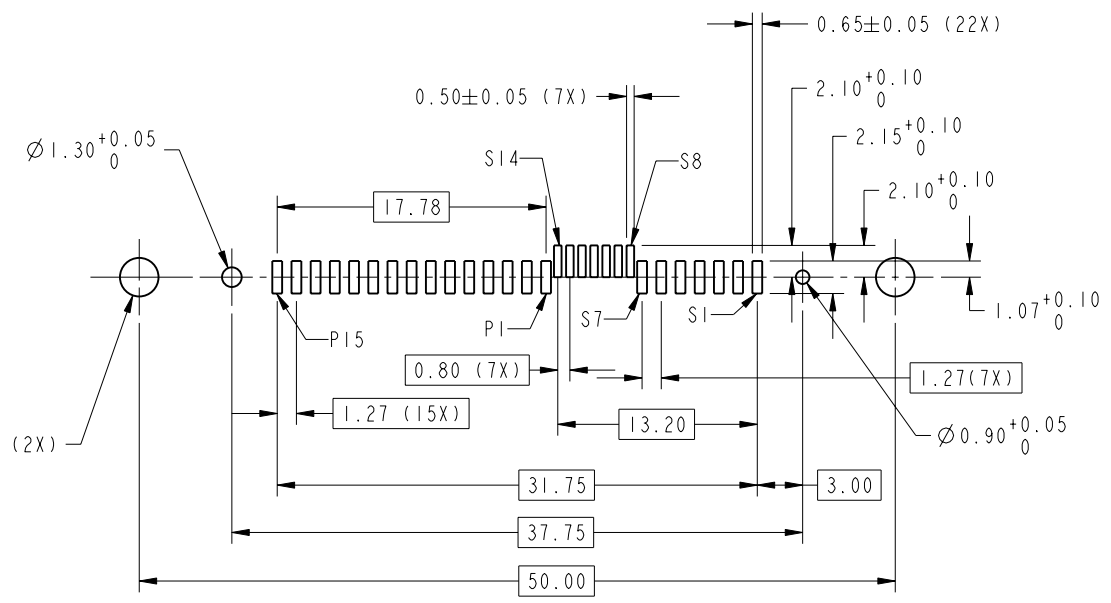
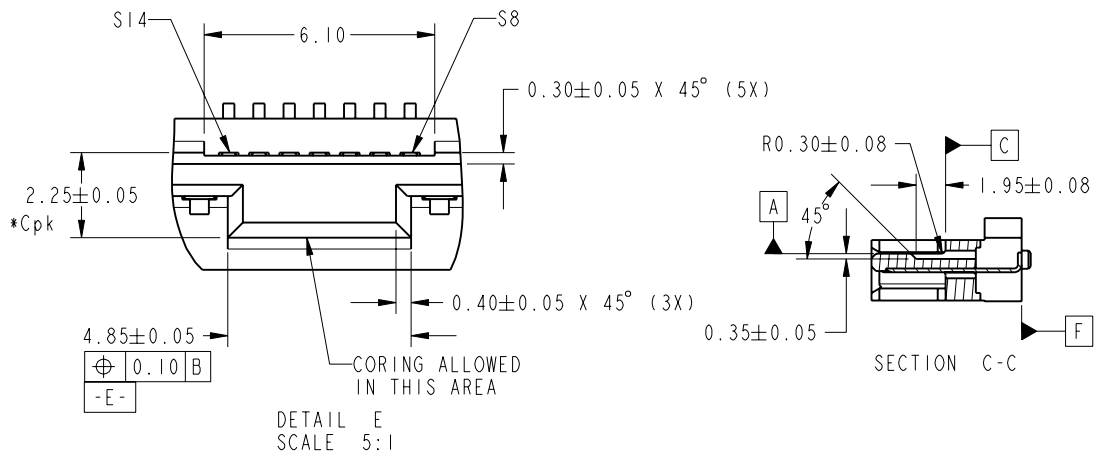


Copyright FCI.

PRODUCT NO	WITH PICK-UP CAP	PACKAGING
10045105-001LF	NO	TRAY
10045105-001CLF	YES	TAPE & REEL
10045105-001C-TRLF		



- NOTES:
- MATERIAL:
HOUSING: HIGH TEMPERATURE PLASTIC, BLACK, UL94V-0
CONTACT: COPPER ALLOY
 - FINISH:
1.27um MIN NICKEL UNDERPLATE OVERALL,
2.54um MIN TIN (LEAD-FREE) ON SOLDER TAIL,
0.76um MIN GOLD IN CONTACT AREA
 - THIS PRODUCT MEETS EUROPEAN UNION DIRECTIVES AND OTHER COUNTRY REGULATIONS AS DESCRIBED IN GS-22-008
 - THE HOUSING WILL WITHSTAND EXPOSURE TO 260°C PEAK TEMPERATURE FOR 10 SECONDS IN A CONVECTION, INFRA-RED OR VAPOR PHASE REFLOW OVEN
 - COPLANARITY FROM SEATING PLANE: 0.1mm MAX.
 - PART WITH PICK-UP CAP, P/N XXXXXXXX-XXXCLF
 - FOR TAPE & REEL PACKAGING, P/N XXXXXXXX-XXC-TRLF



	TITLE	SAS PLUG VERTICAL SMT ASSY	dwg no	10045105	Rev.	E
	CATALOG NO		CUSTOMER		sheet 2 of 2	

REV E - 2006-03-28